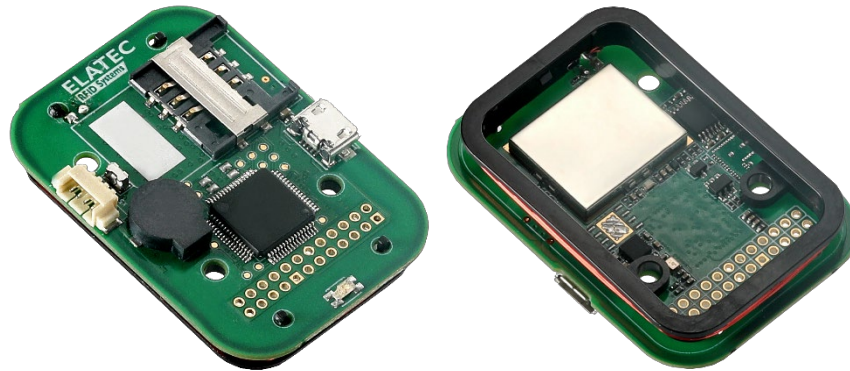


TWN4 MultiTech 3 M LF

Single-frequency LF RFID module



TWN4 MultiTech 3 M LF
(exemplary illustrations*)

*Product images may show product variants or additional components that are not available.

The powerful reader modules of the ELATEC TWN4 MultiTech 3 family combine a compact form factor with optimized read/write performance. All devices integrate RFID (125 kHz and 13.56 MHz), NFC and, optionally, Bluetooth Low Energy (BLE) capabilities. Thanks to their reduced size, the modules can be easily used for almost all applications where small size and full performance matter. Furthermore, they are compatible with the most common host interfaces, such as USB, and they can also be configured with different connector options.

TWN4 MultiTech 3 M LF is a single-frequency product model of the TWN4 MultiTech 3 family that allows users to read and write almost all common worldwide 125 kHz tags and/or labels. Further key features of the module include a powerful SDK for writing apps that are executed directly on the module, the possibility to upgrade the firmware in the field and transparent data exchange with the RFID media.

Special features:

- + Possibility to read many LF RFID technologies
- + Cost-optimized single-frequency RFID solution (125 kHz) with integrated LF antenna
- + Powerful SDK for writing apps which are executed directly on the module
- + Firmware update in the field possible
- + On-board 18 kB flash storage, e.g. for storing user accessible non-volatile data
- + Supports transparent data exchange with RFID media
- + CCID and PC/SC 2.01
- + Compact form factor for easy and quick installation



Elevator



EV Chargers



Access



Shop POS



Fitness
Equipment



Ticket POS



PC Log-on



Document
Management



Driver ID



Vending



Parking



Gaming



Locker Locks



Time
Attendance



Industrial
PC

TECHNICAL DATA

FREQUENCY	125 kHz (LF)
ANTENNA	Integrated
DIMENSIONS (L X W X H)	Approx. 50.00 x 35.00 x 9.50 mm, maximum diameter < 55.00 mm Approx. 1.97 x 1.38 x 0.37 inch, maximum diameter < 2.17 inch Refer to the technical drawings below for further information.
POWER	Micro USB (X1): 4.3 V - 5.5 V Generic interface (X2): 3.3 V (pin 19) or 4.3 V - 5.5 V (pin 13) UART (X3): 5 V ES1/PS2 classified power source according to IEC 62368-1, short-circuit current < 8 A
CURRENT CONSUMPTION	RF field on: 90 mA typically / Sleep: 500 µA typ.
TEMPERATURE RANGE	Operating: -25 °C up to +80 °C (-13 °F up to +176 °F) Storage: -40 °C up to +85 °C (-40 °F up to +185 °F)
RELATIVE HUMIDITY	5% to 95% non-condensing
READ/WRITE DISTANCE	Up to 100 mm / 4 inch, depending on environment and transponder
OPERATING MODES (USB)	USB keyboard emulation – USB virtual COM port – CCID / PC/SC 2.01
MTBF	500,000 hours
WEIGHT	Approx. 10 g / 0.35 oz
SUPPORTED OPTIONS AND TRANSPONDERS	Depending on the firmware version and installed options, ELATEC readers and modules can support a wide range of RFID technologies. Please refer to the relevant ELATEC transponder matrix (available at www.elatec-rfid.com/int/transponder-technology) for more information about the available options and RFID technologies supported by the product.
OS SUPPORT	Windows 7 (32-/64-bit) and higher versions, Linux, Android ¹⁾ , iOS ¹⁾ , MAC OS X ¹⁾
PERIPHERAL INTERFACES	1 SAM slot (ID-000 card format) X1: micro USB, female X2: generic interface (refer to pin assignment in technical drawings below for more information about the available interfaces) X3: UART connector header 4 pos., 1.25 mm pitch, surface mount, right-angle
TRANSMISSION SPEED	Host: USB Full speed (12 Mbit/s), RS-232: up to 115,200 baud
CERTIFICATION NAME	TWN4 MultiTech 3 M LF
CERTIFICATIONS	Non-exhaustive list ²⁾ : CE/RED, FCC, IC, TAA compliant, REACH and RoHS-III compliant
ORDER CODES	T430-F4C0 Standard reader module T430-F4C0-P Reader module with P option

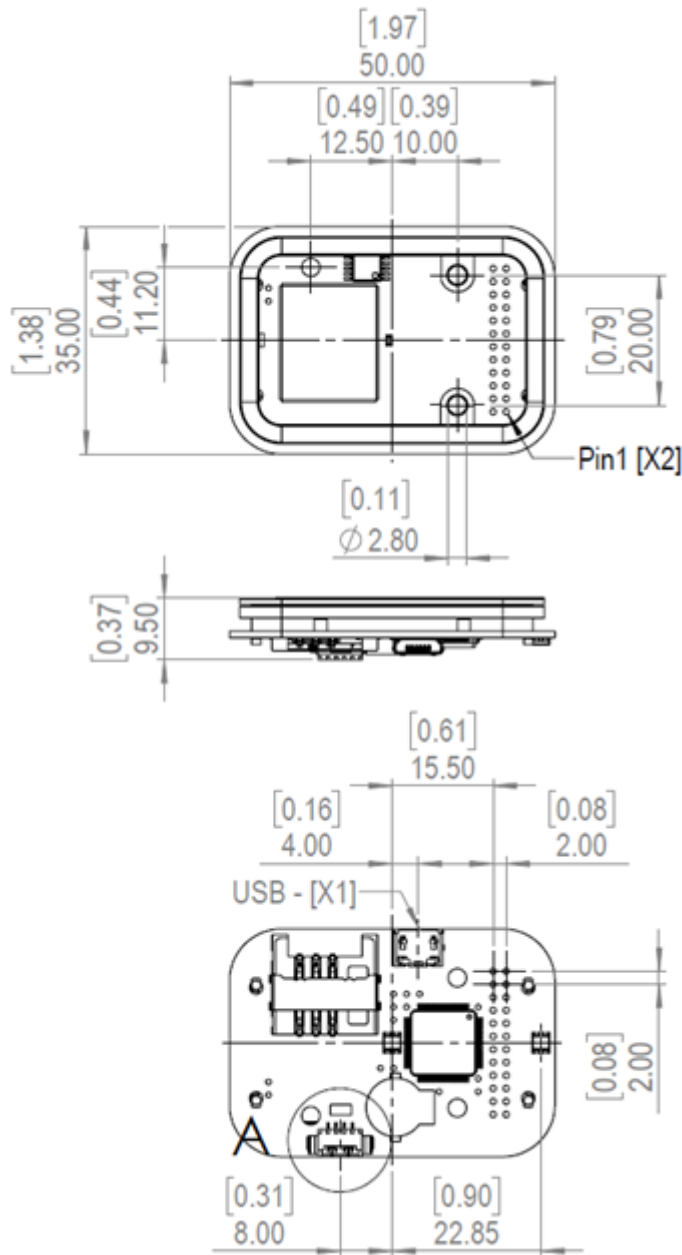
¹⁾On request

²⁾The product has been certified for use in many countries and regions. Contact your Sales representative for detailed information about all certifications and approvals granted to the product.

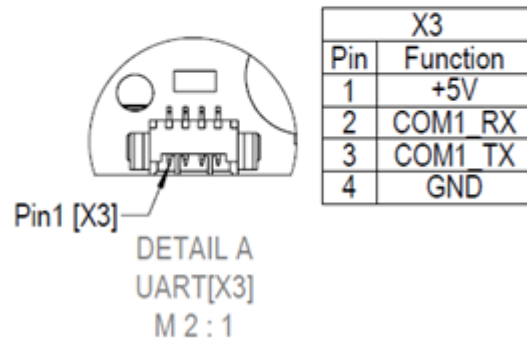
ACCESSORIES

CABLES	ELATEC RFID modules can be delivered with additional cables. Refer to the data sheet <i>Cables for ELATEC devices</i> for detailed information.
--------	---

TECHNICAL DRAWINGS



X2		
	Pin	
RESET	24	23 PWRDWN-
GPIO6	22	21 GPIO5
GPIO4	20	19 VCC
COM1_RX	18	17 COM1_TX
USB_DP_P	16	15 UGND
USB_DM_P	14	13 UVCC
GND	12	11 V24_RXD
HOSTENSE	10	9 V24_TXD
SPI_SCK	8	7 SPI_SS-
SPI_MISO	6	5 SPI_MOSI
I2C_SDA	4	3 I2C_SCI
CAN_RX	2	1 CAN_TX



X3	
Pin	Function
1	+5V
2	COM1_RX
3	COM1_TX
4	GND

All measures in mm [inch]

ELATEC GmbH
 Zeppelinstr. 1
 82178 Puchheim
 Germany
 P +49 89 552 9961 0
 F +49 89 552 9961 129
 E-Mail: info-rfid@elatec.com
 Website: elatec.com

ELATEC Systems GmbH
 Schwieberdinger Str. 44
 71636 Ludwigsburg
 Germany
 P +49 7141 309736 0
 E-Mail: info-rfid@elatec.com
 Website: elatec.com

ELATEC Inc.
 1995 SW Martin Hwy
 Palm City • FL 34990
 USA
 P +1 772 210 2263
 F +1 772 382 3749
 E-Mail: americas-info@elatec.com
 Website: elatec.com

ELATEC Technology (Shenzhen) LLC
 918, Main Building, Tian An Cyber Times
 Tower, No. 6, Tairan Fourth Road, Tian 'an
 Community, Shatou Neighborhood
 Futian District • Shenzhen • China
 P/F +86 755 2394 6014
 E-Mail: apac-info@elatec.com
 Website: elatec.com

ELATEC reserves the right to change any information or data in this document without prior notice. ELATEC declines all responsibility for the use of this product with any other specification but the one mentioned above. Any additional requirement for a specific customer application has to be validated by the customer themselves at their own responsibility. Where application information is given, it is only advisory and does not form part of the specification. Disclaimer: All names used in this document are registered trademarks of their respective owners.