

TWN4 Slim JP

Single-frequency HF RFID reader with NFC and BLE support



TWN4 Slim JP
(exemplary illustrations)

Even smaller than an ID-1 card – The RFID readers of the TWN4 Slim family are ELATEC most compact and flat readers. All devices are available with an NXP or LEGIC frontend and support NFC and Bluetooth Low Energy (BLE) technologies, which makes the readers an ideal solution for mobile data communication and authentication applications. In addition, they are equipped with a flexible micro USB cable and, optionally, with mounting holes that enable a quick and easy installation into any industrial application, especially MFP printers. The readers are available as part of a kit with several accessories (e.g. cables, mounting frame or snap-in covers for printers) or as a standalone unit working with a PC or any other device equipped with a USB interface.

TWN4 Slim JP is a special version of the TWN4 Slim reader that has been designed exclusively for the Japanese market and supports a huge range of HF technologies (13.56 MHz). Key features of the reader include an extremely compact form factor that enables a smooth integration into almost any host system, an optimized design for industrial and secure printing applications, and a powerful SDK for writing apps that are executed directly on the reader.

Special features:

- + Possibility to read many RFID technologies from the 13.56 MHz frequency band
- + Integrated HF antenna, NFC and BLE within ELATEC most compact and flat reader
- + Optimized design with flexible micro USB cable and optional mounting holes
- + Powerful SDK for writing apps which are executed directly on the reader
- + Firmware update in the field possible
- + On-board 18 kB flash storage, e.g. for storing user accessible non-volatile data
- + Supports transparent data exchange with RFID media
- + CCID and PC/SC 2.01
- + Customizable inlay design



Elevator



EV Chargers



Access



Shop POS



Fitness
Equipment



Ticket POS



PC Log-on



Document
Management



Driver ID



Vending



Parking



Gaming



Locker Locks



Time
Attendance



Industrial
PC

TECHNICAL DATA

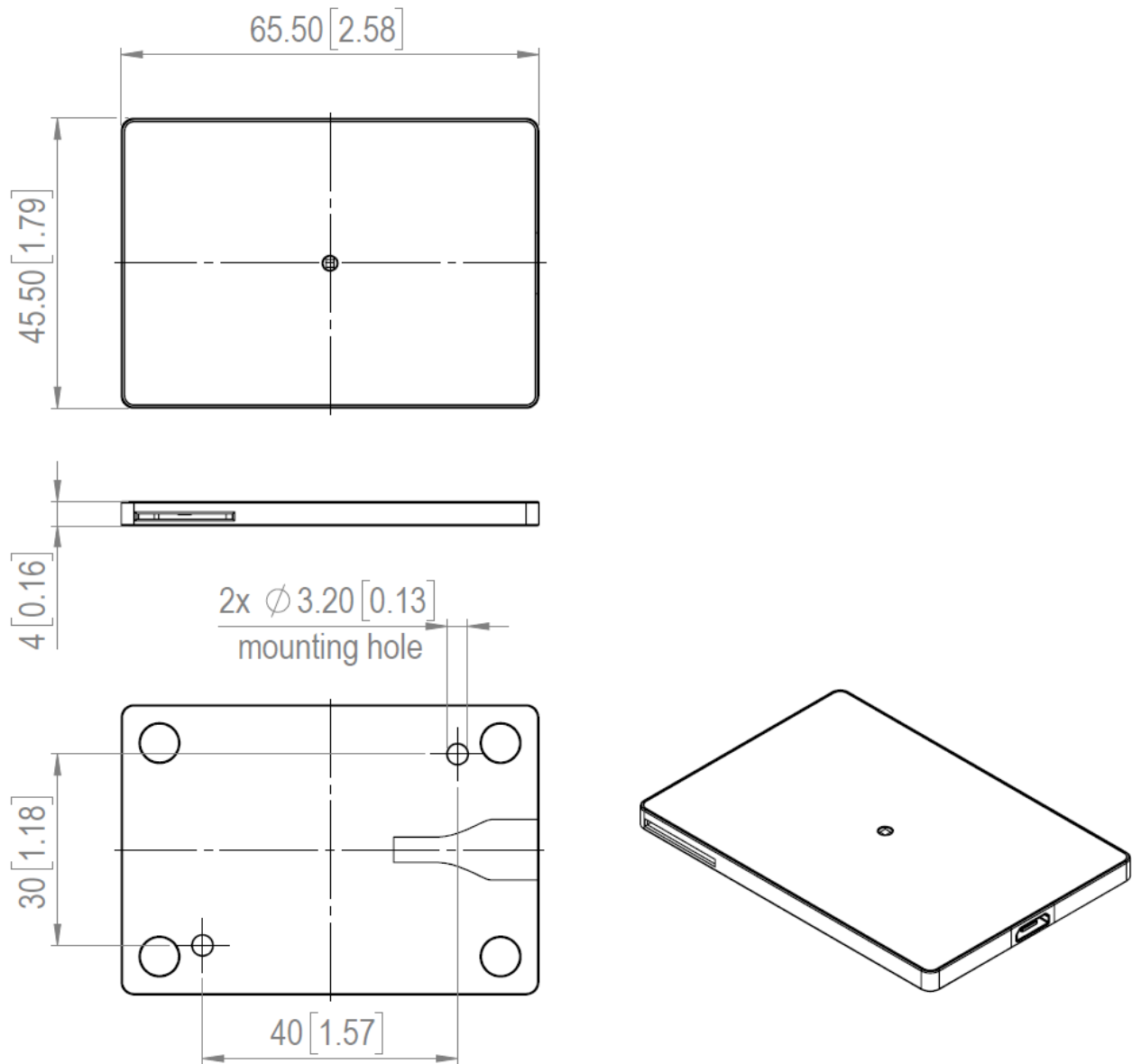
FREQUENCIES	13.56 MHz (HF) / 2.4 GHz (BLE)
ANTENNAS	Integrated
HOUSING	Material: ABS+PC blend, UL94-V0. Two 3.20 mm (0.13 inch) mounting holes for OEM integration (requires special inlay) Color: black
DIMENSIONS (L X W X H)	Approx. 65.50 x 45.50 x 4.00 mm / 2.58 x 1.79 x 0.16 inch
POWER	Micro USB: 4.3 V – 5.5 V ES1/PS2 classified power source according to IEC 62368-1, short-circuit current < 8 A
CURRENT CONSUMPTION	RF field on: 135 mA typically (preliminary) / Idle: 70 mA
TEMPERATURE RANGE	Operating: -20 °C up to +60 °C (-4 °F up to +140 °F) Storage: -30 °C up to +70 °C (-22 °F up to +158 °F)
RELATIVE HUMIDITY	5% to 95% non-condensing
READ/WRITE DISTANCE	HF: up to 80 mm / 3.15 inch, depending on environment and transponder BLE: up to several meters/feet
OPERATING MODES (USB)	USB keyboard emulation – USB virtual COM port – CCID / PC/SC 2.01
BLUETOOTH LOW ENERGY	BLE version 4.2 (upgradable)
MTBF	500,000 hours
WEIGHT	Approx. 18 g / 0.64 oz (without cable and holder)
SUPPORTED OPTIONS AND TRANSPONDERS	Depending on the firmware version and installed options, ELATEC readers and modules can support a wide range of RFID technologies. Please refer to the relevant ELATEC transponder matrix (available at www.elatec-rfid.com/int/transponder-technology) for more information about the available options and RFID technologies supported by the product.
OS SUPPORT	Windows 7 (32-/64-bit) and higher versions, Linux, Android ¹⁾ , iOS ¹⁾ , MAC OS X ¹⁾
PERIPHERAL INTERFACES	1 SAM slot for ID-000 card format, female micro USB, flexible cable, use only with CAB-BS1 – CAB-BS7 shielded cables
TRANSMISSION SPEED	Host: USB full speed (12 Mbit/s), HF Air: up to 848 kbit/s, BLE Air: up to 100 kbit/s
CERTIFICATION NAME	TWN4 Slim JP
CERTIFICATION	MIC
ORDER CODES	<p>Standalone reader, without cable</p> <p>T4QC-FC3B3-JP Standard reader T4QC-FC3B3-IJP Reader with I option</p> <p>TWN4 Slim JP kits</p> <p>Individual kits are available on request. Kits are a compilation of the TWN4 Slim JP reader, accessories and packaging configuration (boxed or bulk packaging). After the configuration of a TWN4 Slim JP kit, customers receive their own article number.</p>

¹⁾On request

ACCESSORIES

CABLES	ELATEC RFID readers and modules can be delivered with additional cables. Refer to the data sheet <i>Cables for ELATEC devices</i> for detailed information.
ADDITIONAL COMPONENTS	<p>HFQC-B TWN4 Slim mounting frame, black</p> <p>MECH-CCK3 Cable clip kit, adhesive, black (3pcs)</p> <p>MECH-QHC1B TWN4 Slim HIP1 cover</p> <p>MECH-QHC2B TWN4 Slim HIP2 cover</p> <p>MECH-QRBF1 TWN4 Slim rubber feet, 4pcs/set</p>

TECHNICAL DRAWINGS



All measures in mm [inch]

ELATEC GmbH

Zeppelinstr. 1
82178 Puchheim
Germany
P +49 89 552 9961 0
F +49 89 552 9961 129
E-Mail: info-rfid@elatec.com
Website: elatec.com

ELATEC Systems GmbH

Schwieberdinger Str. 44
71636 Ludwigsburg
Germany
P +49 7141 309736 0
E-Mail: info-rfid@elatec.com
Website: elatec.com

ELATEC Inc.

1995 SW Martin Hwy
Palm City • FL 34990
USA
P +1 772 210 2263
F +1 772 382 3749
E-Mail: americas-info@elatec.com
Website: elatec.com

ELATEC Technology (Shenzhen) LLC

918, Main Building, Tian An Cyber Times
Tower, No. 6, Tairan Fourth Road, Tian 'an
Community, Shatou Neighborhood
Futian District • Shenzhen • China
P/F +86 755 2394 6014
E-Mail: apac-info@elatec.com
Website: elatec.com

ELATEC reserves the right to change any information or data in this document without prior notice. ELATEC declines all responsibility for the use of this product with any other specification but the one mentioned above. Any additional requirement for a specific customer application has to be validated by the customer themselves at their own responsibility. Where application information is given, it is only advisory and does not form part of the specification. Disclaimer: All names used in this document are registered trademarks of their respective owners.